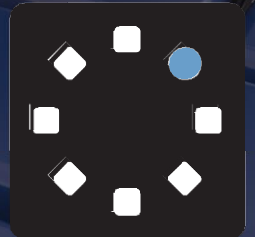


"We wanted to offer our customers a multipurpose production accessory that would deliver clean fume extraction with longer lasting filters, reduce overall footprint, eliminate unnecessary filter usage and power consumption with a digitally integrated, auto-start/stop blower control system, provide rock solid reliability with a micro-controlled brushless blower motor, have an on-board fixture drawer for faster set-ups...and look good while doing it. Our customers now have a great option as a result of our partnership with the professionals at PATTechnology Systems"



FILTRABOX



BASYS CD-1

**INTEGRATED FUME EXTRACTOR
AND SUPPORT STAND FOR
COBALT DOMINATOR
MARKING SYSTEM**



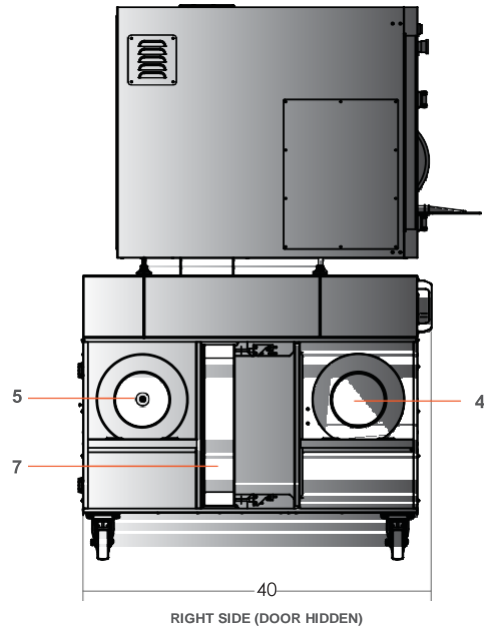
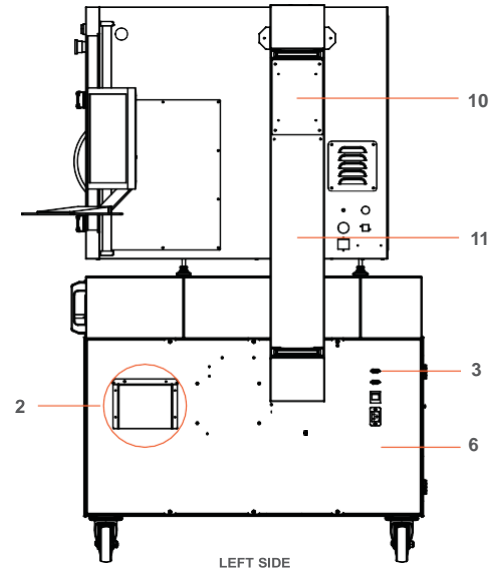
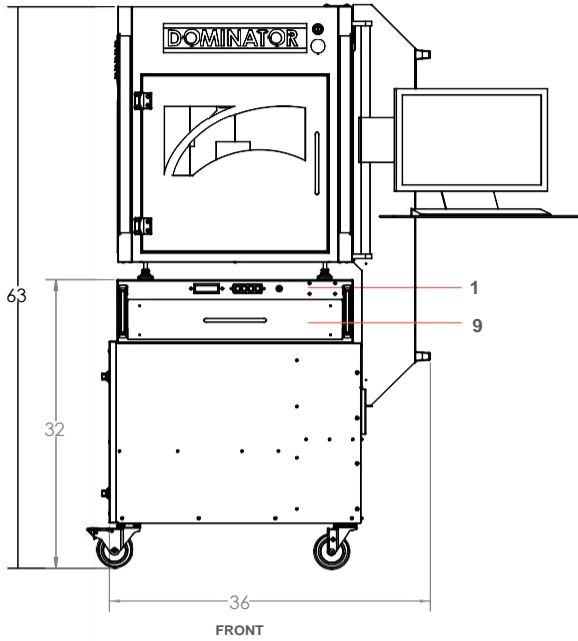
FEATURES

- HIGH EFFICIENCY FUME EXTRACTION
- EXTENDED CAPACITY FILTERS
- PRACTICAL FIXTURE KIT DRAWER
- SPACE/COST SAVING ALL-IN-ONE STAND

- ROLLING CART WITH 3 STAGE HEPA FILTRATION, PULL OUT DRAWER FOR STORAGE OF FIXTURE KIT, & WASHABLE PRE-FILTER- SAVES MONEY ON REPLACING FILTERS

Specifications

Basys CD-1



Technical Specifications

Quiet operation	55 dB
Max airflow	210 CFM
Height	32"
Width	36"
Depth	40"
Washable pre-filter	Fiber Matrix
Glassfiber pre-filter	75 sqft
Glassfiber HEPA filter	65 sqft
Carbon filter	20 lbs
Voltage	230/120 V
Frequency	50-60 Hz
Wattage	1.1 kW
Warranty	1 year

Legend

- 1) User Interface
- 2) High Pressure Blower Module w/ Sensor
- 3) EZ-Link
- 4) Oxy-Carbon Filter
- 5) High-Efficiency Pre-Filter
- 6) Electronics Module
- 7) Rigid Aluminum Hepa Filter
- 8) Exhaust
- 9) Feature Kit Drawer
- 10) Washable Pre-Filter Access Panel
- 11) Dust Optimized Duct

Laser Americas 508 989 5090

sales@laseramericas.com

www.laseramericas.com